

4

3

2

1

THIS DRAWING IS UNPUBLISHED.

RELEASED FOR PUBLICATION

© COPYRIGHT

BY -

ALL RIGHTS RESERVED.

LOC

DIST

REVISIONS

DS

-

P

LTR

DESCRIPTION

DATE

DWN

APVD

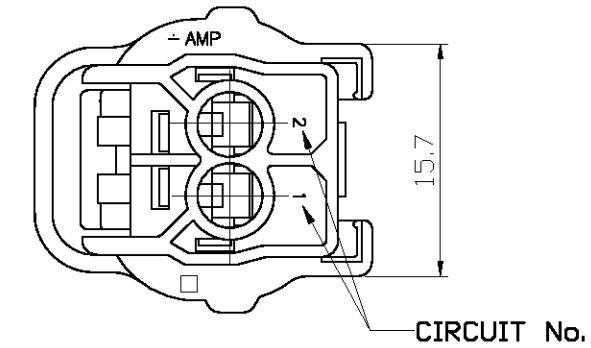
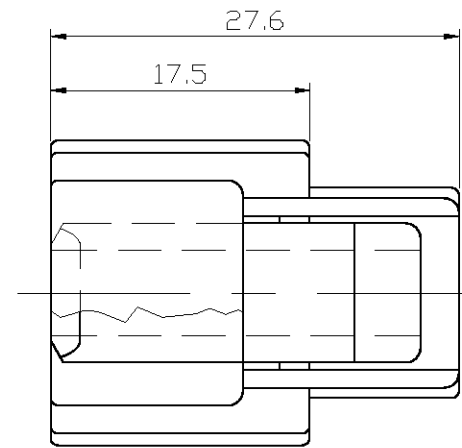
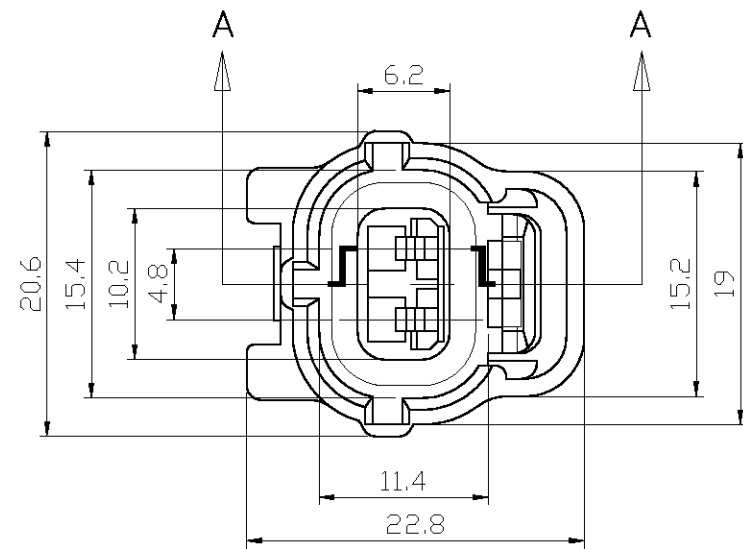
E3

REVISED PER ECO-11-005139

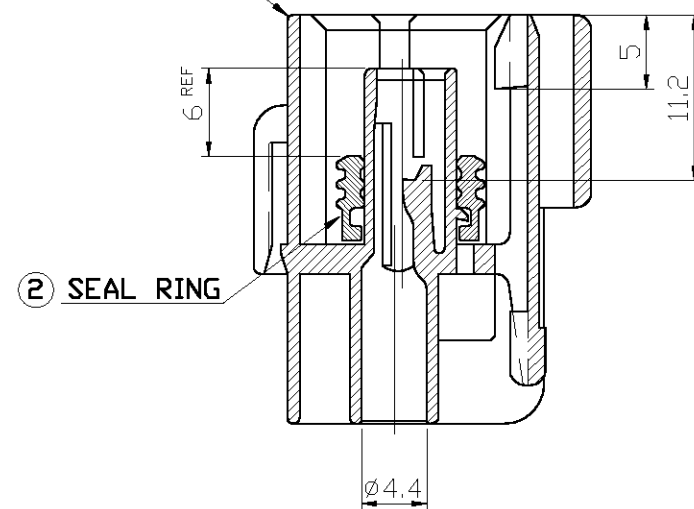
28MAR11

RK

HMR



① PLUG HOUSING



② SEAL RING

SECTION A-A

NOTE;

- 1. FOR CAP HOUSING P/N 174354
- 2. THIS PART IS COMPOSED OF PLUG HOUSING P/N 368254 AND SEAL RING P/N 917370, 368882
- 3. THIS PART MUST BE USED WITH DOUBLE LOCK PLATE P/N 174353 <sup>EC</sup>
- 4. APPLICABLE CONTACT P/N 171630, 171662

ASSY PN	368261-3	368261-2	368261-1

NO	COLOR	MATERIAL	DESCRIPTION	QT'Y
②	BROWN	SILICON	SEAL RING	1
	BLACK	SILICON	SEAL RING	1
①	GRAY	PBT	2P PLUG HOUSING	1
	BLACK	PBT	2P PLUG HOUSING	1

DIMENSIONS: MM		TOLERANCES UNLESS OTHERWISE SPECIFIED: 0 <XX<10 ± 0.2 10 <XX<30 ± 0.25 30 <XX ± 0.3 ANGLES ± 3°		DWN KT JUNG CHK JW JUNG APVD HG CHO PRODUCT SPEC 108-61054 APPLICATION SPEC 114-5082 WEIGHT 5.2g			NAME ECONOSEAL J-MARKII(+) CONNECTOR 2 POS. PLUG HOUSING		
MATERIAL SEE TABLE		FINISH		CUSTOMER DRAWING		SIZE A3	CAGE CODE 00779	DRAWING NO C-368261	RESTRICTED TO -
						SCALE 2/1	SHEET 1	OF 1	REV E3